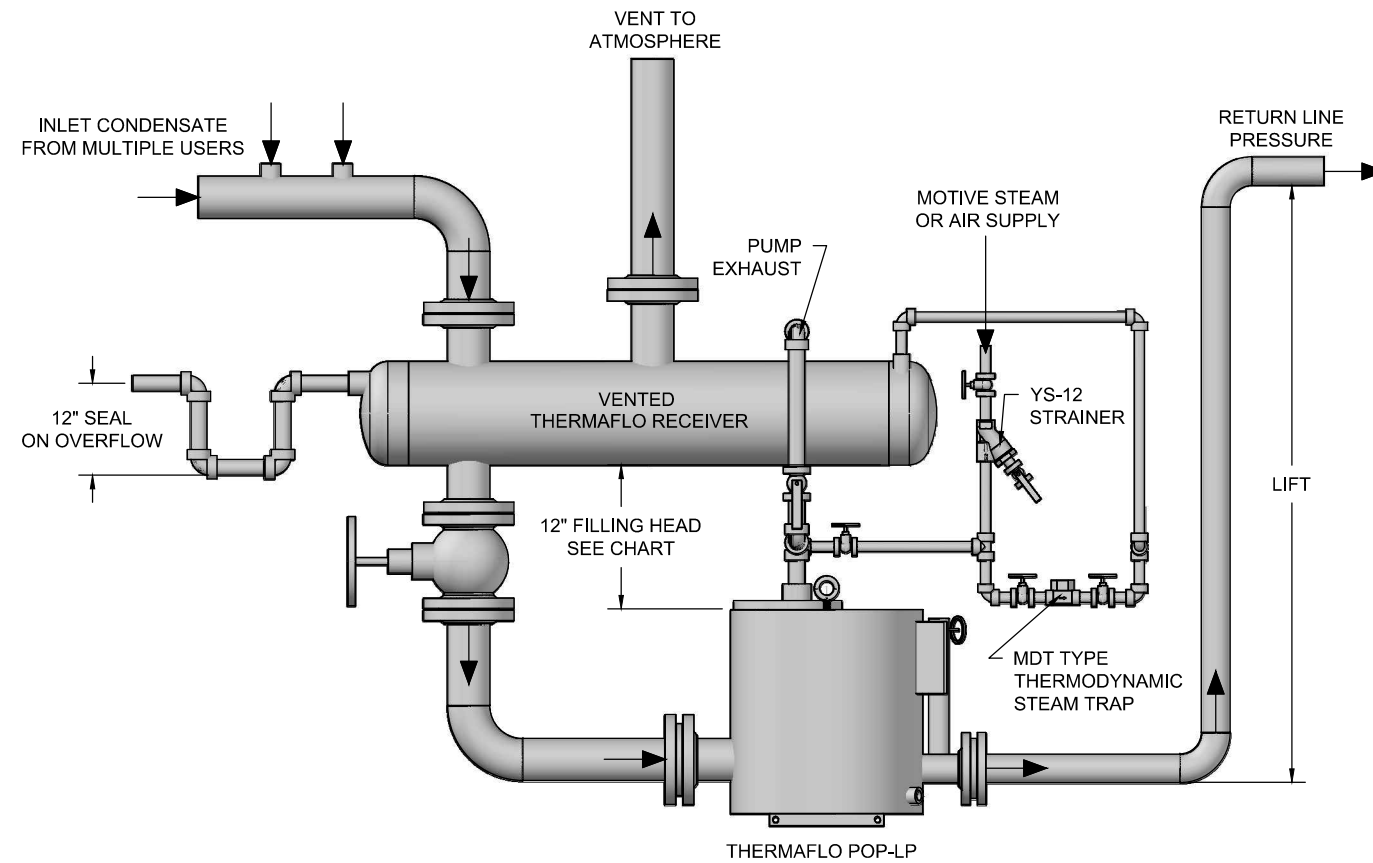
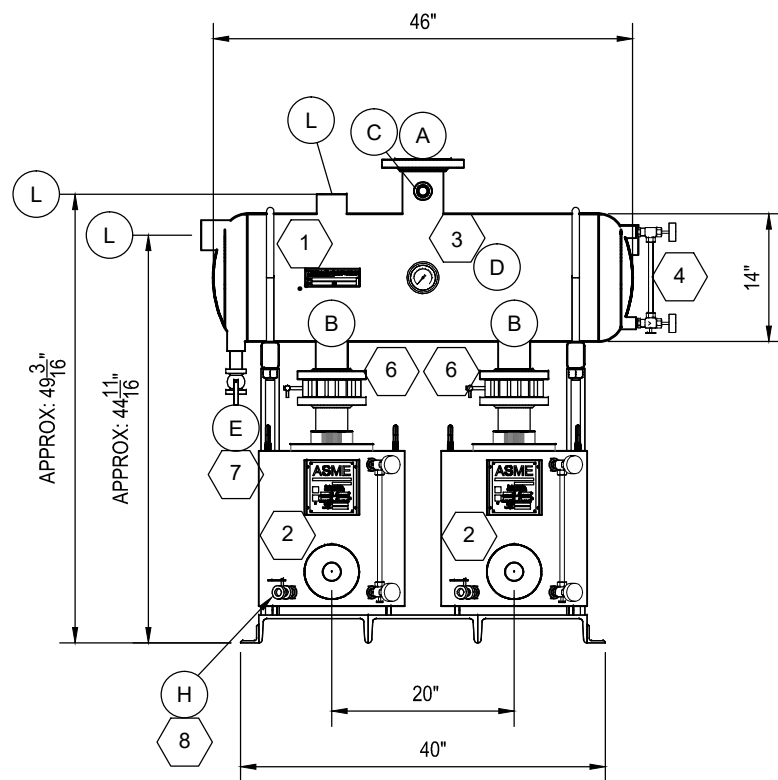


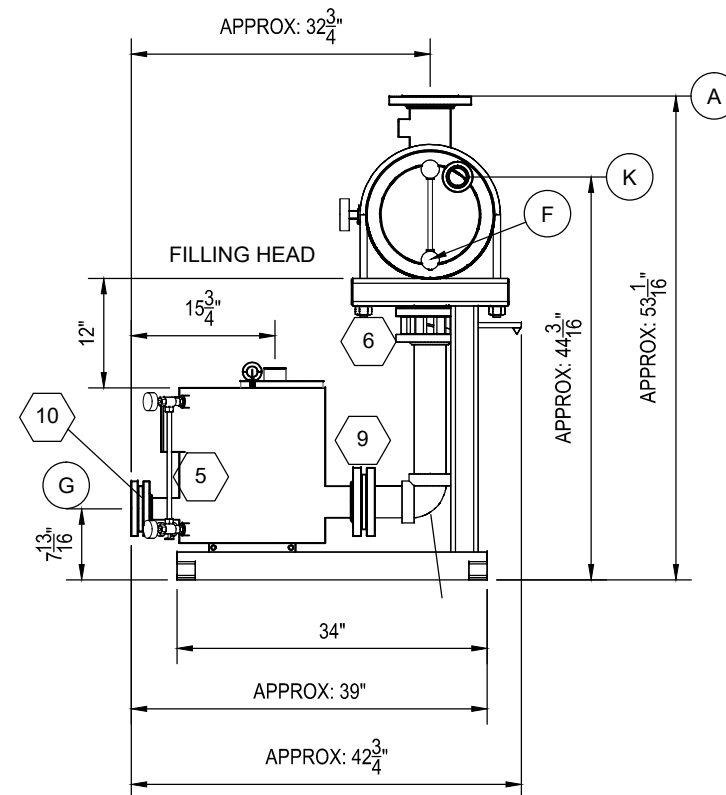
PLAN VIEW



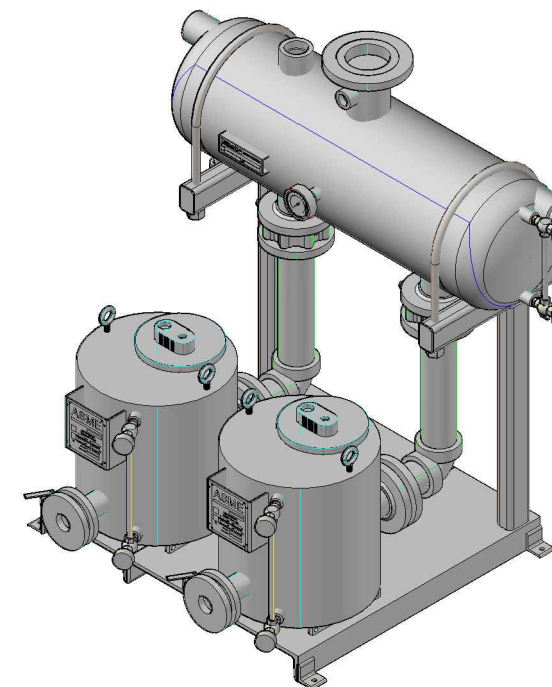
TYPICAL HOOKUP - SOME ITEMS SHOWN ABOVE
NOT INCLUDED WITH THIS PACKAGE - CONSULT FACTORY



FRONT VIEW



RIGHT SIDE VIEW



ISOMETRIC

SHIPPING WEIGHT: 765 LBS

DESIGN DATA			
COND. TANK	ATMOSPHERIC - NOT RATED		
CONDITION OF SERVICE AND PERFORMANCE DATA			
STEAM MOTIVE PRESSURE	XX PSIG		
CONDENSATE BACKPRESSURE	XX" HD AS SPECIFIED		
PUMP CAPACITY EACH	SEE CHART		
MATERIALS OF CONSTRUCTION			
TANK SHELL	HEAVY SHELL CARBON STEEL		
STAND	CARBON STEEL		
PIPING	CARBON STEEL		
PUMP	304 STAINLESS STEEL SHELL/SA-516 GR70 HEADS		
BILL OF MATERIALS			
ITEM	QTY	DESCRIPTION	
1	1	THERMAFLO CONDENSATE TANK, 14X46 OAL, 30 GALLON, HEAVY SHELL	
2	2	THERMAFLO ENGINEERING MODEL POP-LP ASME CODE PRESSURE OPERATED CONDENSATE PUMP, STAINLESS STEEL INTERNAL MECHANISM	
3	1	5" BIMETAL THERMOMETER W/SS WELL	
4	1	10" CONBRACO MODEL 24-350 SIGHT LEVEL GAUGE	
5	1	14.5" CONBRACO MODEL 24-350 SIGHT LEVEL GAUGE	
6	2	3" ISOLATION BUTTERFLY VALVE, LUG BODY	
7	1	1" 3700 DRAIN BALL VALVE, FULL PORT	
8	1	1/2" 3700 DRAIN BALL VALVE, FULL PORT	
9	2	3" MODEL CV 12 SS, INLET CHECK VALVE, STAINLESS STEEL BODY AND TRIM	
10	2	2" MODEL CV 12 SS, OUTLET CHECK VALVE, STAINLESS STEEL BODY AND TRIM	
NOZZELS and CONNECTIONS			
ITEM	SIZE (IN)	TYPE & RATING	SERVICE
A	4	150# FLG	VENT
B	3	150# FLG	PUMP FEED
C	1	NPT	PUMP EXHAUST
D	3/4	NPT	TEMPERATURE GAUGE
E	1	NPT	DRAIN
F	1/2	NPT	SIGHT LEVEL
G	1-1/2 OR 2	NPT	PUMP OUTLET
H	1/2	NPT	SIGHT LEVEL / DRAIN
J	1/2	NPT	PUMP MOTIVE
K	2	NPT	OVERFLOW
L	2	NPT	CONDENSATE INLET

CAPACITIES STEAM MOTIVE CONDENSATE LBS/HR
POP-LP-D-3012

STEAM MOTIVE PRESSURE PSIG	TOTAL BACK PRESSURE PSIG	1.5" x 1.5" 12" FILL HEAD	2" x 2" 12" FILL HEAD
10	5	3,936	6,540
10	2	5,472	11,385
25	15	6,124	9,040
25	10	7,022	11,712
25	5	8,320	13,936
50	40	4,112	6,160
50	25	7,344	12,240
50	10	9,222	13,380
75	40	7,054	10,656
75	15	10,032	15,280
100	60	7,040	10,064
100	40	9,169	12,416
100	25	10,582	14,730
125	115	4,352	5,888
125	80	7,216	9,968
125	60	8,518	12,128
125	40	10,454	13,952
125	25	11,721	14,900
150	100	6,294	7,360
150	80	7,444	9,104
150	60	8,944	11,152
150	40	10,331	13,088
150	25	14,190	15,142

NOTE: MAX FLASH STEAM TO ATMOSPHERE FOR 4" VENT 600LBS/HR
IF FLASH STEAM EXCEEDS 800LBS/HR CONTACT FACTORY TO AVOID ADVERSE PUMP OPERATION

Since 1986
THERMAFLO INC.
Manufacturers Of Steam Fired Specialty Equipment
12249 Nations Ford Road, Pineville NC 28134
(704) 940-1228 www.thermafloengineering.com

DESCRIPTION: POP-LP-D-3012-DUPLEX PRESSURE OPERATED PUMP SYSTEM			
CUSTOMER:	JOB #	QTY.	DATE:
TECHNICAL INFORMATION SHEET		1	03-02-16
SCALE:	DRAWN: RSP	PO #	PLAN #
		FILE: POP-LP-D-3012-DUPLEX	REV. #
			PAGE: 1 OF 1