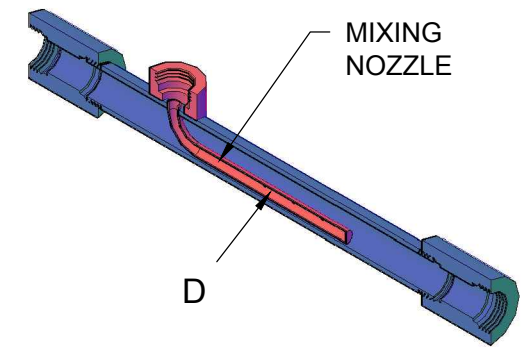
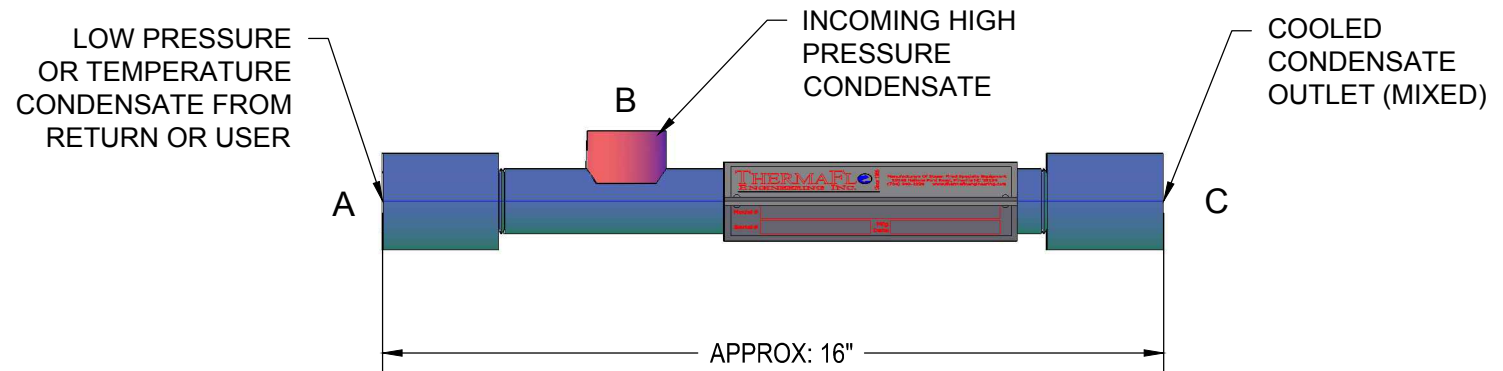


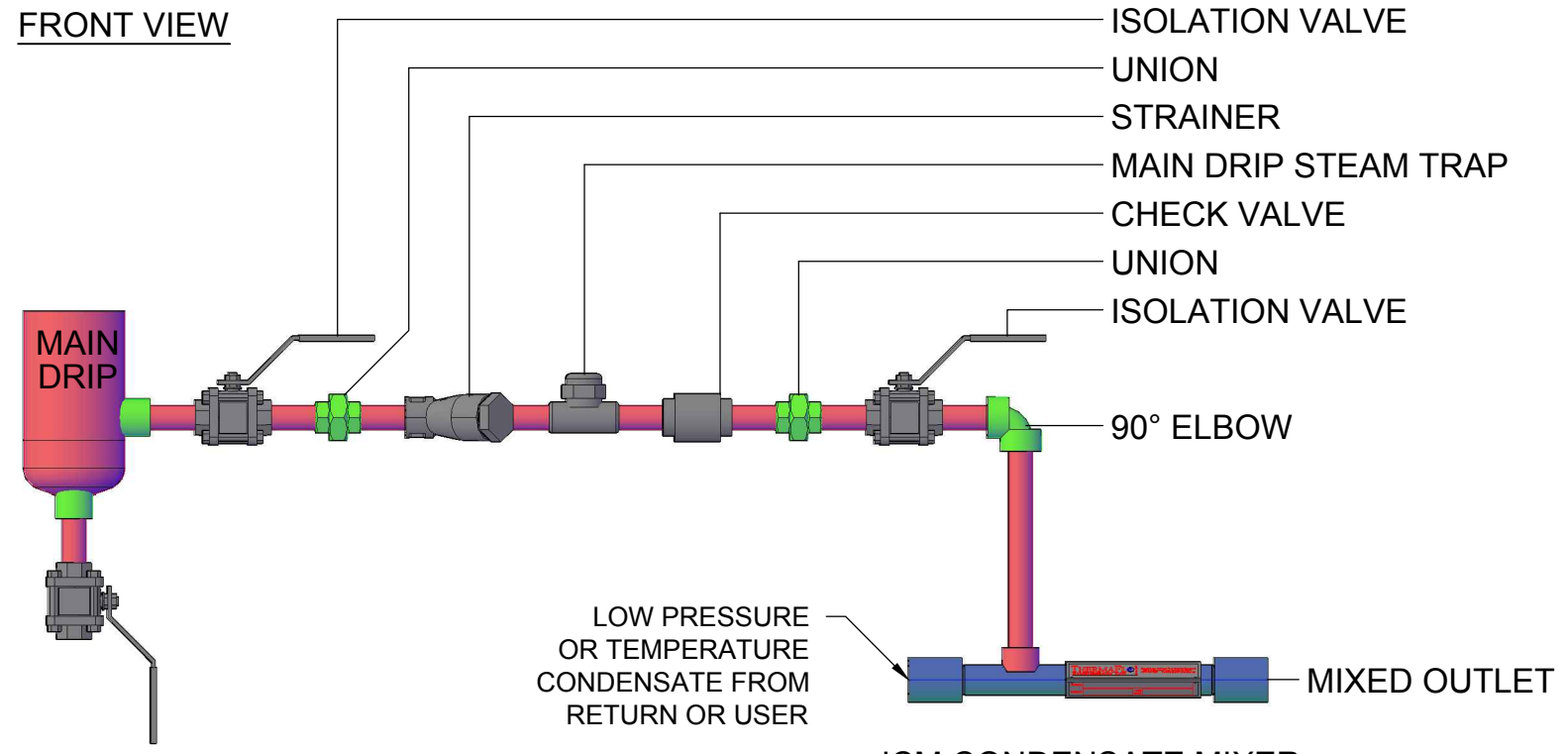
TOP VIEW



ISOMETRIC CUTAWAY VIEW



FRONT VIEW



TYPICAL HOOKUP

CONDITIONS OF SERVICE AND PERFORMANCE DATA				
MAXIMUM PRESSURE RATING				150 PSIG
MAXIMUM TEMPERATURE RATING				366 DEG F
MAXIMUM HIGH PRESSURE CONDENSATE FLOW RATE				200 LBS/HR
JCM MODEL	CONNECTION (Inch)			
	A	B	C	D
50	1/2	1/2	1/2	(6) 1/8 DIA HOLES
75	3/4	1/2	3/4	(6) 1/8 DIA HOLES
100	1	3/4	1	(6) 1/8 DIA HOLES
150	1-1/2	1	1-1/2	(6) 1/4 DIA HOLES
200	2	1	2	(6) 1/4 DIA HOLES

PRODUCT DESCRIPTION:
 The Thermaflo Type JCM Jet Condensate Mixer is designed to accept high pressure (150 psig Max) condensate so that it can be discharged into a low pressure return line without the use of flash tanks or separate coolers. This simple device eliminates condensate line hammer and vented flash steam to atmosphere.

OPERATION:
 High pressure condensate from the main drip steam trap is discharged into connection B of the JCM Mixer. Low pressure cooler condensate flows around the mixing nozzle. The mixing nozzles break up the high pressure flow into smaller jets where it can be precisely blended and cooled with the low pressure returns flowing around the mixing nozzle. This action reduces the high pressure trap discharge to within a few degrees of the low pressure return eliminating flash hammer in the return line.

SIZING:
 Generally the 1/2", 3/4", and 1" JCM Mixers are sized for the discharge of a single main drip steam trap with a maximum discharge capacity of 200 lbs/hr @ 150 psig max. 1-1/2" and 2" JCM Mixers are sized for up to 3 traps with a condensate flow rate of 200 lbs/hr each. Low pressure condensate flow and size may vary with many applications so the JCM is available with various "A" inlet and "C" outlet connections. The "B" inlet is limited to either 1/2", 3/4" & 1" npt in size. Thermaflo Engineering Inc. can recommend a correct size for your application and provide a simple piping hookup detail.

MADE IN USA

THERMAFLO
 ENGINEERING INC. Since 1986
 Manufacturers Of Steam Fired Specialty Equipment
 12249 Nations Ford Road, Pineville NC 28134
 (704) 940-1228 www.thermafloengineering.com

DESCRIPTION: TYPE JCM JET CONDENSATE MIXER							
CUSTOMER: TECH. INFORMATION SHEET				JOB #	QTY.	DATE: 08-13-14	
SCALE: NTS	DRAWN: RSP	PO #	PLAN #	FILE: TFE-JCM-5-2	REV. #	PAGE: 1 OF 1	