



# LD3700 Series

## 150 PSIG RATED

# Steam Ball Valve

### Two Piece with Seal Welded Polished Ends

#### FEATURES & BENEFITS

- 360° fully welded to avoid any leakage, 100°leakage proof effect
- Bottom entry, blow-out proof stem provides maximum safety
- Wide range of seat and seal materials
- Female threaded connections
- Investment cast body construction
- Locking device, tapped and drilled pad
- Test pressure: 80 psi (seat); 2000 psi (shell)

#### STANDARDS

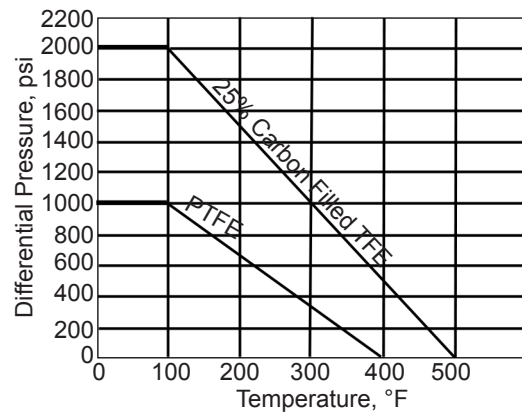
- Female pipe threaded to NPT, DIN 259/2999, BS21
- Inspection and testing according to API 598
- PED 97/23/EC

#### SPECIFICATIONS

- Construction: 2 piece screw-in & 360° fully welded design
- Flow bore: full port
- Rating: 2000 psi; 150 psi saturated steam
- Temperature: -20 – +400°F (PTFE/RPTFE)
- Materials: ASTM CF8M, CF8, WCB/DIN 1.4408 1.4308 1.0619
- Size range: 1/4" - 2"



#### PRESSURE/TEMPERATURE CHART



#### ORDERING SCHEMATIC

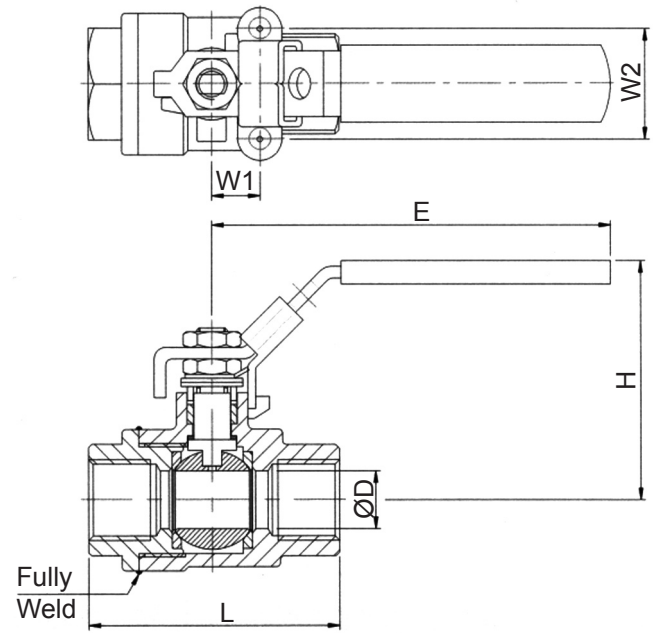
Series	Body	TRIM	Port	Packing	Seat	Ends
LD37	3 316	3 316	F Full	T Teflon	T Teflon C Carbon	S Sealed Welded Ends



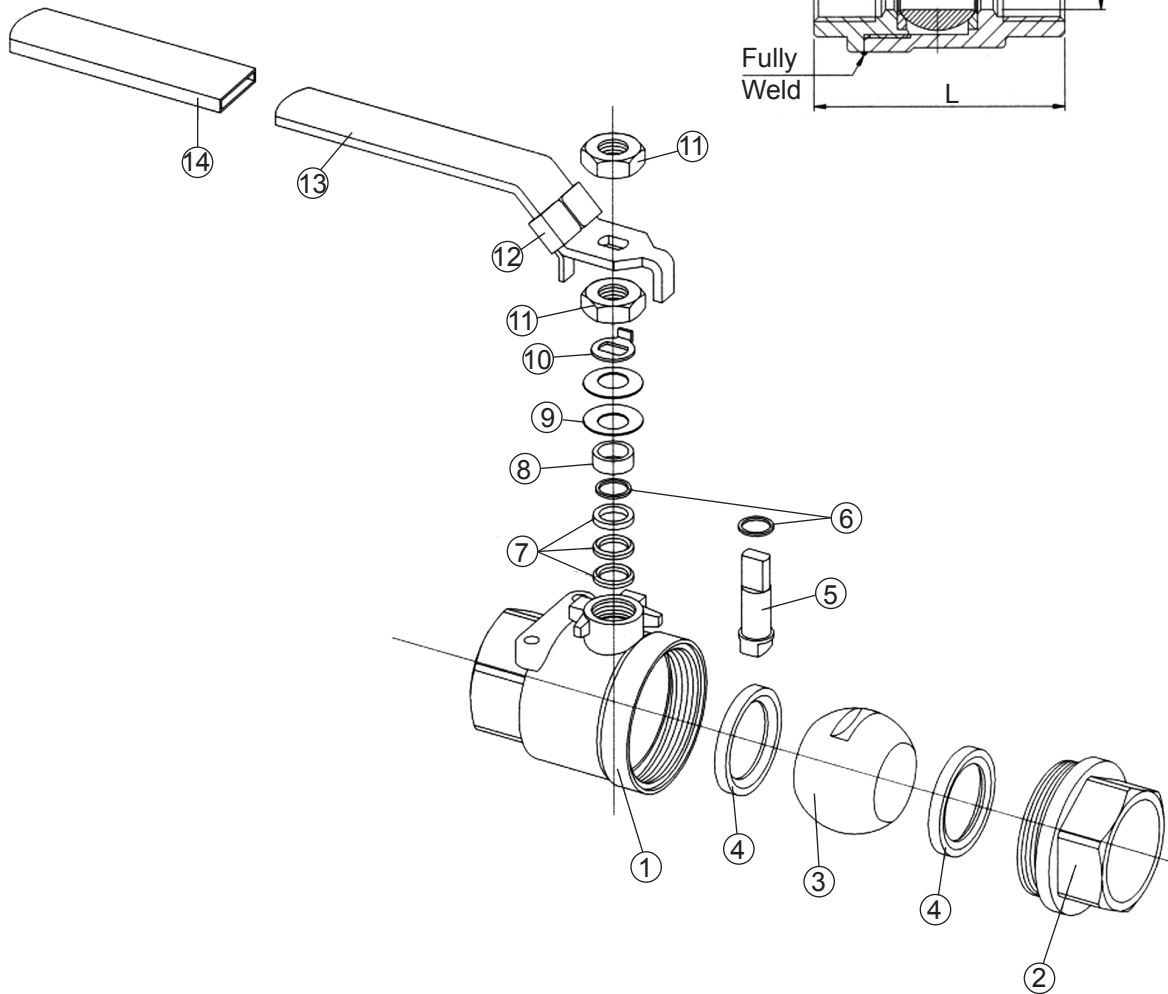
7PDL□  
3□.  
DWVWLD□  
WPDL□

## DIMENSIONS

Size	D	L	E	H	W1	W2	Cv
1/4"	0.46	2.19	4.09	2.24	0.50	1.12	8
3/8"	0.49	2.19	4.09	2.24	0.50	1.12	10
1/2"	0.59	2.56	4.09	2.44	0.50	1.12	13
3/4"	0.79	2.91	5.12	2.68	0.88	1.38	50
1"	0.98	3.48	6.14	3.15	1.00	1.50	93
1-1/4"	1.26	4.02	6.14	3.35	1.00	1.50	170
1-1/2"	1.50	4.39	7.56	3.94	0.98	1.95	250
2"	1.97	4.92	7.56	4.17	0.98	1.95	450



## EXPLODED VIEW



No.	Part Name	Material	No	Part Name	Material
1	Body	ASTM A351 CF8M	8	Follower	SS 304
2	End Cap	ASTM A351 CF8M	9	Belleville Washer	SUS 301
3	Solid Ball	ASTM A351 CF8M	10	Saddle Washer	SS 304
4	Ball Seat	25% Carbon Filled TFE	11	Stem Nut	SS 304
5	Stem	SS 316	12	Locking Device	SS 304
6	Thrust Washer	50% SS Powder + 50% PTFE	13	Handle	SS 304
7	Stem Packing	Grafoil	14	Handle Sleeve	Vinyl