



"Trap Check" Steam Trap Leakage Monitoring System

- Simple Clamp On Design
- Save Energy and Time Checking Steam Traps
- Eliminate Costly Steam Trap Surveys
- Instantly Maintain a 24/7 Watch on All Traps

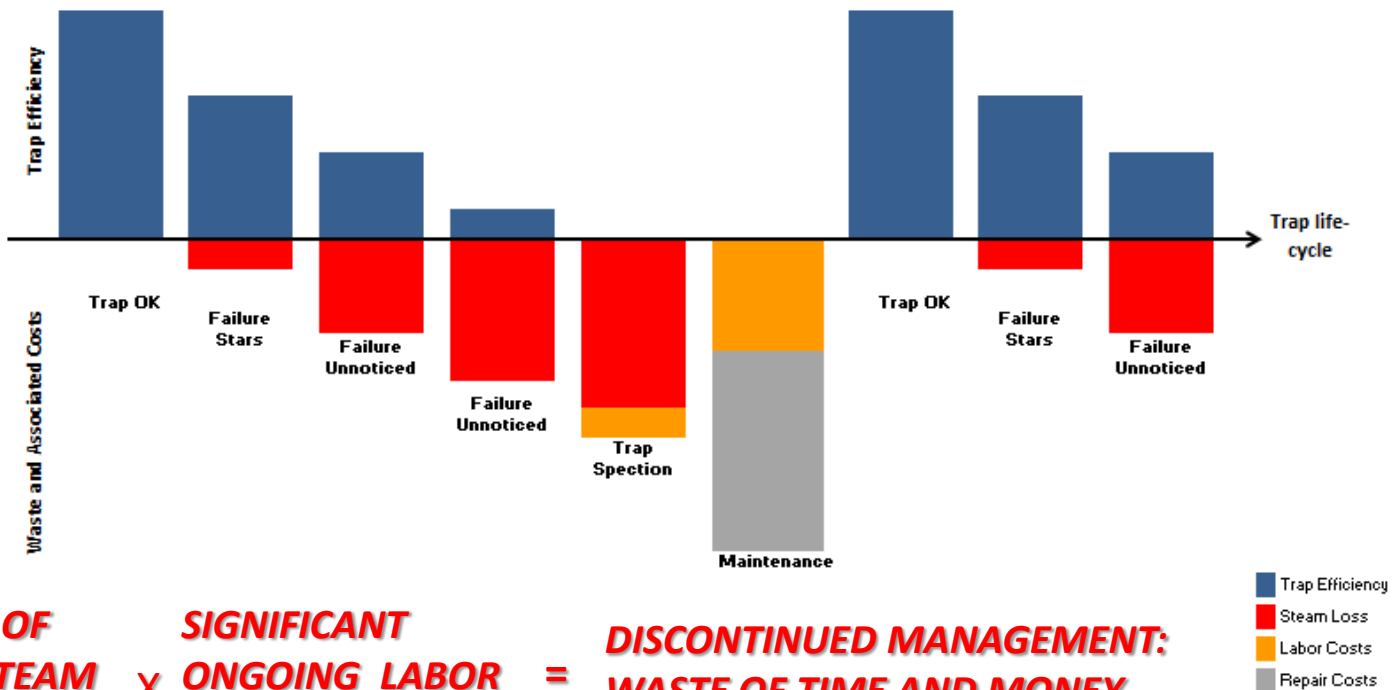


SF ThermoFlo Engineering Steam Products
12249 Nations Ford Road Pineville, North Carolina 28134
Phone: 704-940-1228 www.thermafloengineering.com



Current Situation

A typical steam plant loses 15% of its energy through failed steam traps. On average manual inspections identify failed traps after six months of steam losses. And more frequent audits incur significant inspection costs.



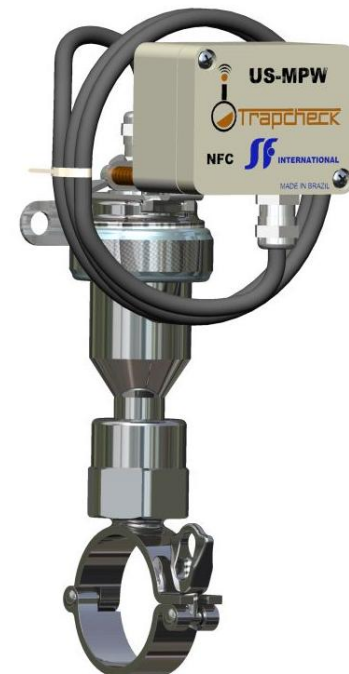
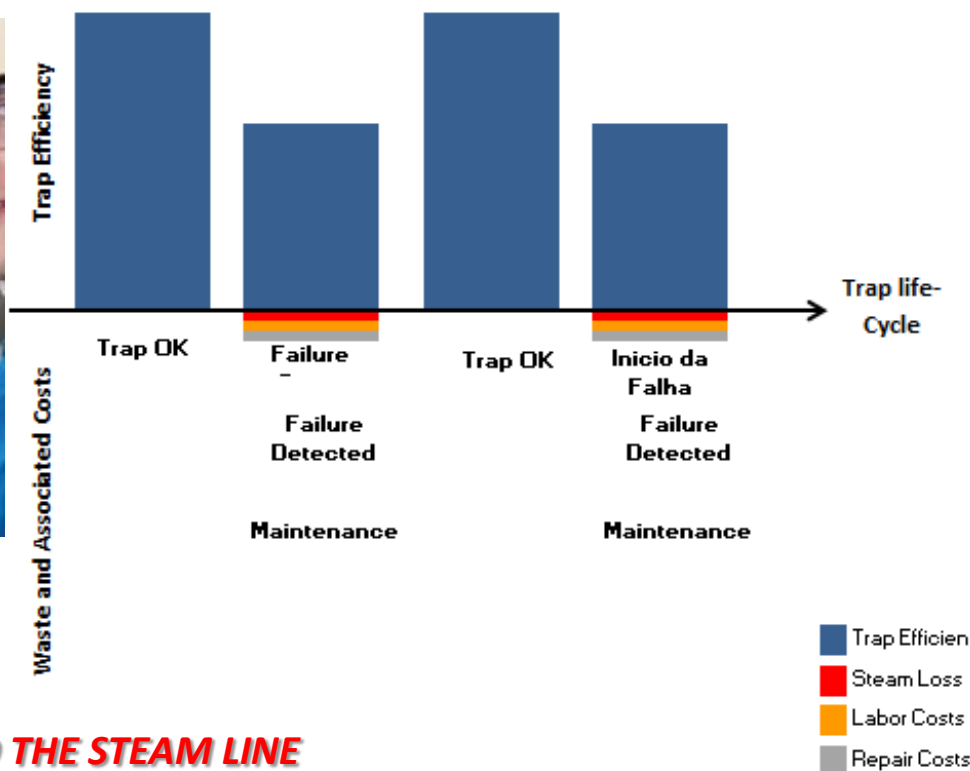
**MANUAL INSPECTION OF
HUGE QUANTITY OF STEAM
TRAPS**

**× SIGNIFICANT
ONGOING LABOR
COST**

**= DISCONTINUED MANAGEMENT:
WASTE OF TIME AND MONEY**

TRAPCHECK

Trapcheck provides continuous monitoring of steam trap operation to enable immediate response when failures occur.



NON INTRUSIVE TO THE STEAM LINE

WIRELESS TECHNOLOGY X 24H TRAP MONITORING

=

PRECISE AND EFFICIENT TRAP MANAGEMENT: 0 LEAK

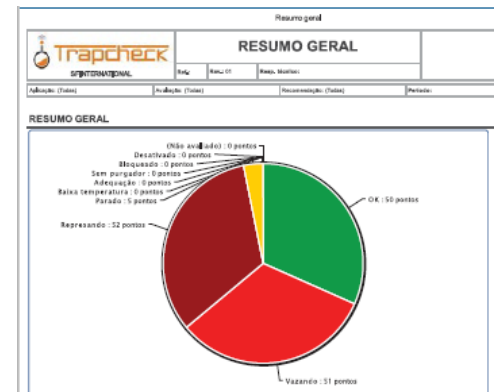
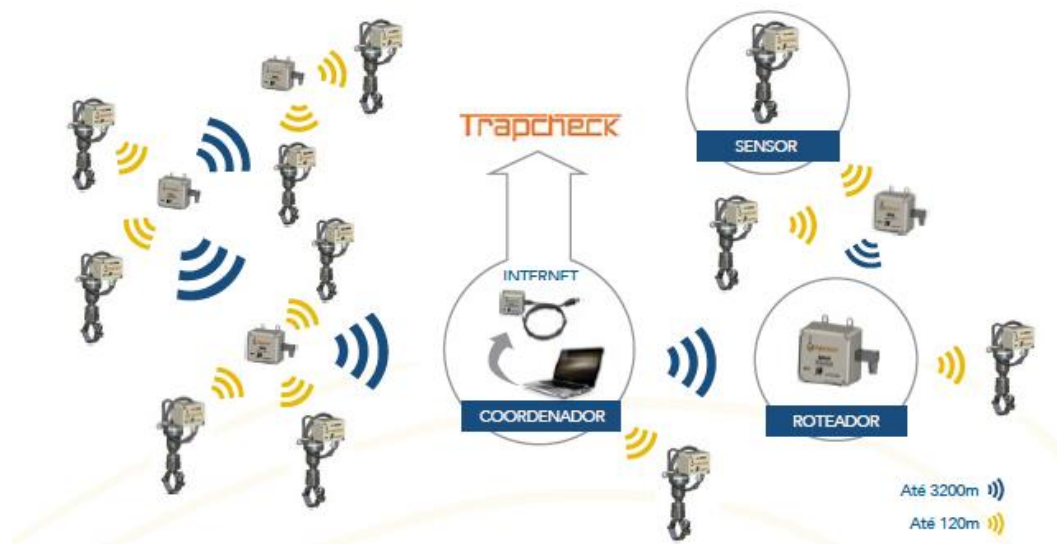


SYSTEM COMPONENTS

- **US-MPW ultrasonic sensor**
- **MPW Router (repeater)**
- **MPW Coordinator**



HOW IT WORKS



US-MPW is installed non intrusively on the piping upstream to the trap, regardless pipe size. It will detect temperature and noise variations of steam traps and transmit data to MPW Router , which will amplify the communication distance (up to 3,200 meters).

MPW Coordinator has a built-in software which will decode the data received. All these data will be stored in a Cloud Server, avoiding the need of installing resident softwares.

This information is translated by Trapcheck online software into actionable reports.

TRAPCHECK SOFTWARE

TrapCheck is a web based software that allow the visualization and statistical analysis of the devices conditions through graphics and reports. It requires no installation or update and can be accessed from anywhere in the world by any authorized person.

It produces detailed reports that provide better visibility of the installation, so the customer can find out how much steam is being lost by each leaking trap and establish maintenance priorities.

The screenshot shows the 'Identificação' and 'Dados de processo' sections of the software interface. The 'Identificação' section includes fields for 'Área', 'TAG', 'Localização', and 'Aplicação'. The 'Dados de processo' section includes fields for 'Fluido', 'Diâmetro linha', 'Pressão entrada', 'Temperatura', 'Regime de operação', and 'Purgador recomendado'. A sidebar on the left shows a tree view of the installation areas.

The screenshot shows the 'RESUMO POR APLICAÇÕES' report. It features a bar chart titled 'APLICAÇÕES' with two bars: 'Tanque Flash' (red) and 'Prato' (green). Below the chart is a legend with categories: OK, Vazando, Represando, Parado, Baixa temperatura, Adequação, Sem purgador, Bloqueado, Desativado, and (Não avaliado). Below the legend is a summary table for 'APLICAÇÕES'.

APLICAÇÕES	OK	Vazando	Represando	Parado	Baixa temperatura	Adequação	Sem purgador	Bloqueado	Desativado	(Não avaliado)	TOTAL	Perda horária (kg vapor / h)	Perda mensal (ton vap. / mês)	
Tanque Flash	0	1	0	0	0	0	0	0	0	0	1	8%	13,16	0,48
Prato	8	6	0	0	0	0	0	0	0	0	12	52%	20,41	14,70
	81,64%	38,48%	0,00%	0,00%	0,00%	0,00%	0,00%	0,00%	0,00%	0,00%	13	33,69	24,18	

The screenshot shows the 'RESUMO GERAL' report header. It includes the TrapCheck logo, the company name 'SF INTERNATIONAL', and fields for 'Ref.', 'Rev.', 'Resp. Técnico', and 'Período'. Below the header is a table with columns for 'Aplicação (Totais)', 'Análise (Totais)', 'Recomendação (Totais)', and 'Período'.



UREA	OK	Vazando	Represando	Parado	Baixa temperatura	Adequação	Sem purgador	Bloqueado	Desativado	(Não avaliado)	TOTAL	Perda horária (kg vapor / h)	Perda mensal (ton vap. / mês)	
ator Vertical 04	8	6	0	0	0	0	0	0	0	0	13	100%	33,53	24,18
	8	6	0	0	0	0	0	0	0	0	13	33,69	24,18	
	81,64%	38,48%	0,00%	0,00%	0,00%	0,00%	0,00%	0,00%	0,00%	0,00%	13	33,69	24,18	

CLUSÃO / ECONOMIA				
Custo do Vapor		R\$	52,00	/ ton
Perda total com perdas de vapor		R\$	1.257,56	/ mês

"Trap Check" Typical Hookup

Clamps on at the Trap Inlet without Fitting into the Line!

