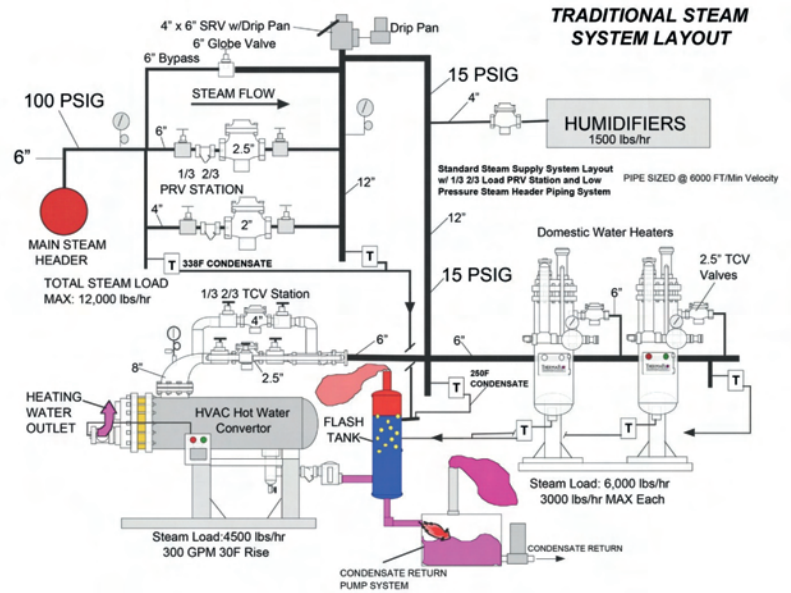


Traditional Steam System

“The Old Way”

- Steam pressure reducing stations (PRV's) cost thousands to install and take up large amounts of space in a mechanical room and often require noise diffusers.
- Flash tanks require roof penetrations and waste energy constantly.
- Central condensate return tanks and pumps are expensive to install and occupy large areas in mechanical rooms.
- Complex and expensive 1/3 & 2/3 temperature control valve stations that are large due to low inlet pressure and flow required.
- Very complex and time consuming piping install due to all of the above components to install and maintain.



Vacuflo System

What is a Vacuflo System?

The Thermaflo “Vacuflo” is a unique fluid heating system that utilizes the higher latent heat BTU’s of vacuum steam to transfer energy, while saving up to 10% in steam energy usage and 30% on installation cost over conventional systems. Vacuflo systems can be used for building heating or domestic water heating.

- Eliminates the need for large pressure reducing stations and noise diffusers.
- Eliminates the flash tank system and all roof penetration vents.
- Eliminates the large central condensate return systems and reduces the floor space required.
- Eliminates the large temperature control stations and future expensive maintenance.
- Simple to install complete package system with engineered components.

