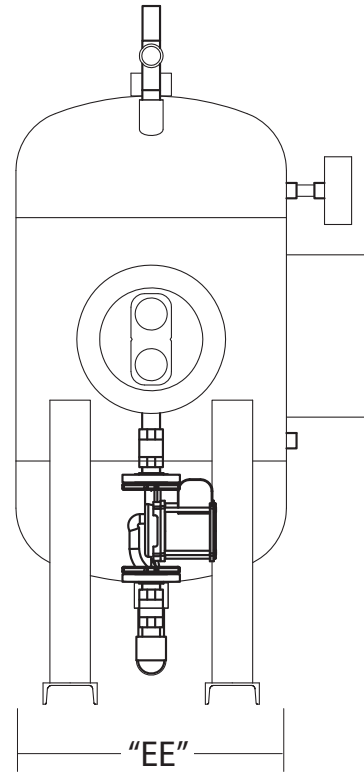


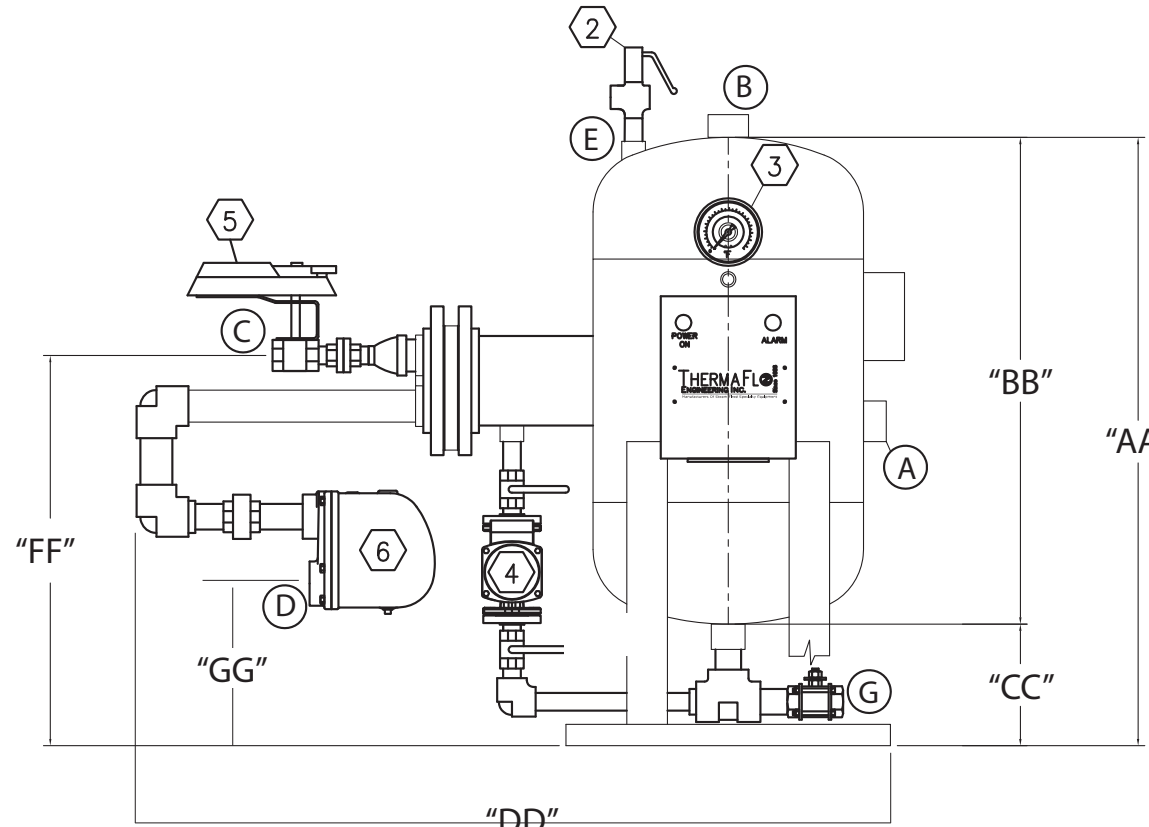
MODEL TH750V-SS45-8 -SWEN

NOZZLES & CONNECTIONS

MODEL	836/848	
ITEM	SIZE, TYPE	SERVICE
A	2" NPT	COLD WATER INLET
B	2" NPT	HOT WATER OUTLET
C	SEE SIZING CHART	CONTROL VALVE INLET
D	2.0" NPT	CONDENSATE OUTLET
E	1" NPT	P & T RELIEF
F	.75 NPT	HIGH TEMP SOLENOID VLV.
G	1" NPT	DRAIN
H	.75 NPT	TEMPERATURE GAUGE



LEFT SIDE VIEW
STEAM INLET & CONDENSATE
OUTLET PIPING NOT SHOWN
FOR CLARITY



ELEVATION VIEW

COMPLETE FOR SUBMITTAL

STANDARD DIMENSIONS STEAM / WATER									
MODEL # TH750V-SS45-								WEIGHT (lbs)	
TH750	"AA"	"BB"	"CC"	"DD"	"EE"	"FF"	"GG"	DRY	WET
836	50"	36"	9"	78"	24"	29"	15"	825	1208
848	50"	36"	9"	78"	24"	29"	15"	859	1242
CONDITIONS OF SERVICE:									
DOMESTIC WATER FLOW: [REDACTED] GPM									
INLET TEMP: [REDACTED] F°									
OUTLET TEMP: [REDACTED] F°									
INLET STEAM PRESSURE TO CONTROL VALVE [REDACTED] PSIG*									
STEAM CAPACITY REQUIRED: [REDACTED] LBS/HR									

* NOTE: INLET PSIG OVER 50# REQUIRES H.P. OPTION

ITEM	CONNECTION	SIZE, TYPE, PN	SERVICE
3	E	[REDACTED]	P & T RELIEF
4	C	[REDACTED]	CONTROL VALVE INLET
5	D	[REDACTED]	STEAM TRAP
[REDACTED]	[REDACTED]	[REDACTED]	[REDACTED]
[REDACTED]	[REDACTED]	[REDACTED]	[REDACTED]

BILL OF MATERIALS

ITEM	DESCRIPTION
1	THERMAFLO ENGINEERING INC TH750-V-SS45-836-SWEN 20" DIA.x36" OAL HOT WATER STORAGE HEATER, 316L STAINLESS STEEL SHELL, CAST IRON HEAD, 8" WALL COPPER TUBES & 304 SS TUBE SHEET INNER
2	1" CASH ACME FVX-5L PRESSURE AND TEMPERATURE RELIEF VALVE, SET @ 150 PSIG @ 210°F RATE @ 3,625,000 BTU'S
3	4.5" DIAL THERMOMETER WITH SS WELL 0-250F°
4	CIRCULATION PUMP WITH CHECK VALVE
5	1.5" TYPE BV SERVIES ELECTRONIC SYSTEM CONTROL VALVE, BRONZE BODY AND STAINLESS STEEL TRIM, ELECTRONIC MODULATING ACTUATOR, FAIL CLOSED SPRING RETURN.
6	2.0" FLOAT AND THERMOSTATIC STEAM TRAP
7	THERMAFLO ENGINEERING INC. EC800-EN-PM6 ELECTRONIC CONTROLLER, UL LISTED CONTROL PANEL WITH PID ELECTRONIC TEMPERATURE, SAFETY SHUTDOWN SYSTEM, AND OPERATION INDICATOR LIGHT.

NOTE:

- INTERIOR CLEANED
- EXTERIOR PRIME PAINTED
- 1.5" THICK INSULATION WITH HEAVY METAL JACKET
- ALL DIMENSIONS TO HAVE ±1/2 TOLERANCE

DESIGN DATA

ASME CODE SECTION VIII, DIV 1 STAMP UM

SHELL RATED AT 150 PSIG @ 375°F
TUBES RATED AT 125 PSIG @ 300°F

MATERIALS OF CONSTRUCTION

SHELL	316L STAINLESS STEEL
TUBESHEET	304 SS INNER, STEEL OUTER
TUBES	SW COPPER .049 WALL
STEAM HEAD	CLOSE GRAIN CAST IRON

TAG:

- ASME CODE SECTION VIII DIV.1 UM STAMP CONSTRUCTION
- 100% FACTORY STEAM TESTED BEFORE SHIPMENT
- SINGLE SEATED CONTROL VALVE FOR DEAD TIGH SHUT OFF ON NO LOAD CONDITIONS
- VERTICAL CROSS FLOW SELF CLEANING TUBE DESIGN
- 316L STAINLESS STEEL SHELL CONSTRUCTION
- FULL SELF TUNING PID DIGITAL CONTROLS
- DOUBLE SAFETY SOLENOID SAFETY HIGH LIMIT SYSTEM FAIL SAFE TEMPERATURE CONTROLLER AND CONTROL VALVE
- SHELL BLOWDOWN VALVE AND EXPANDABLE TUBE DESIGN TO REMOVE INTERNAL SCALE BUILDUP
- 1.5" THICK INSULATION WITH HEAVY METAL JACKET
- ALL DIMENSIONS TO HAVE ±1/2" TOLERANCE
- MOUNTING FRAME HAMMERTONE POWDER COATED



Manufacturers Of Steam Fired Specialty Equipment

12249 Nations Ford Road, Pineville NC 28134
(704) 940-1228 www.thermafloengineering.com

DESCRIPTION:

TH750V-SS45-8 [REDACTED]-SWEN

CUSTOMER:

[REDACTED]

J.O. # [REDACTED] QTY. [REDACTED] DATE: [REDACTED]

SCALE: 1=1
PRINTED: NTS

DR. [REDACTED]
DAB

P.O. # [REDACTED]

SALES: [REDACTED] DRAWING # [REDACTED] REV. [REDACTED]

TH750V-SS45-8 [REDACTED]-SWEN