
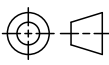


THERMAFLO



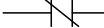
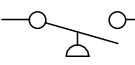
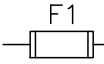


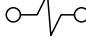
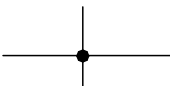

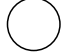

ENGINEERING COMPANY

Pneumatic Temperature & Pump Control Panel

ELECTRICAL SCHEMATICS

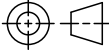
 THERMAFLO ENGINEERING COMPANY <small>MANUFACTURERS of STEAM FIRED SPECIALTY EQUIPMENT</small>		<small>Since 1986</small>		CHK'D BY AS	TITLE ThermaFlo Engineering Co		
				DRAWN BY SB	SUB TITLE Pneumatic Temp. & Pump Control Panel		
 DO NOT SCALE DRAWING	FILE NAME S02524-TITLE.dwg	DATE ISSUED 05/27/09	SCALE NTS	DRAWING NUMBER S02524-TITLE	REV 0	SHEET TITLE	
	DRAWING TYPE Electrical Schematics						

SYMBOLS LEGEND:

PTC	TRANSFORMER AUTO RESET		NORMALLY OPEN CONTACT
	SWITCH		NORMALLY CLOSED CONTACT
RTD	RESISTANCE TEMPERATURE DEVICE		PRESSURE SWITCH NORMALLY OPEN CONTACT
TC	THERMOCOUPLE		FUSE
	ARC SUPPRESSOR	-----	WIRED BY OTHERS
	FIELD TERMINAL BLOCK	—————	PANEL WIRING
	SOLENOID VALVE		WIRING CONNECTION
	LED INDICATORS		
CR-1			CONTROL RELAY
MTR			PUMP MOTOR

NOTES:

1. Panel wiring to be 18 AWG
Field wiring to be 14 GA THHN or larger
2. Wire numbers are the same as terminal numbers except where noted.
3. Thermocouple (if used) must be wired with thermocouple wire.
4. Controller to be programmed such that the Alarm Switch opens on High Temperature.
5. Main circuit breaker to be 10 amp by others.

 <p>DO NOT SCALE DRAWING</p>	<p>THERMAFLO ENGINEERING COMPANY</p> <p style="font-size: small;">MANUFACTURERS of STEAM FIRED SPECIALTY EQUIPMENT</p>	<p style="writing-mode: vertical-rl; transform: rotate(180deg);">Since 1966</p>	<p>CHK'D BY AS</p>	<p>TITLE ThermaFlo Engineering Co</p>		
	<p>FILE NAME S02524-SYMB.dwg</p> <p>DRAWING TYPE Electrical Schematics</p>	<p>DATE ISSUED 05/27/09</p>	<p>DRAWN BY SB</p>	<p>SCALE NTS</p>	<p>SUB TITLE Pnuematic Temp. & Pump Control Panel</p>	
			<p>DRAWING NUMBER S02524-SYMB</p>	<p>REV 0</p>	<p>SHEET SYMB</p>	

WARNING: To reduce risk of fire, replace only with the below listed fuses or their Equivalents.
Fuse F1: MDL-7 7 amp

120VAC/50Hz
10AMP BREAKER

1-01

1-02

1-03

1-04

1-05

1-06

1-07

1-08

1-09

1-10

1-11

1-12

1-13

1-14

1-15

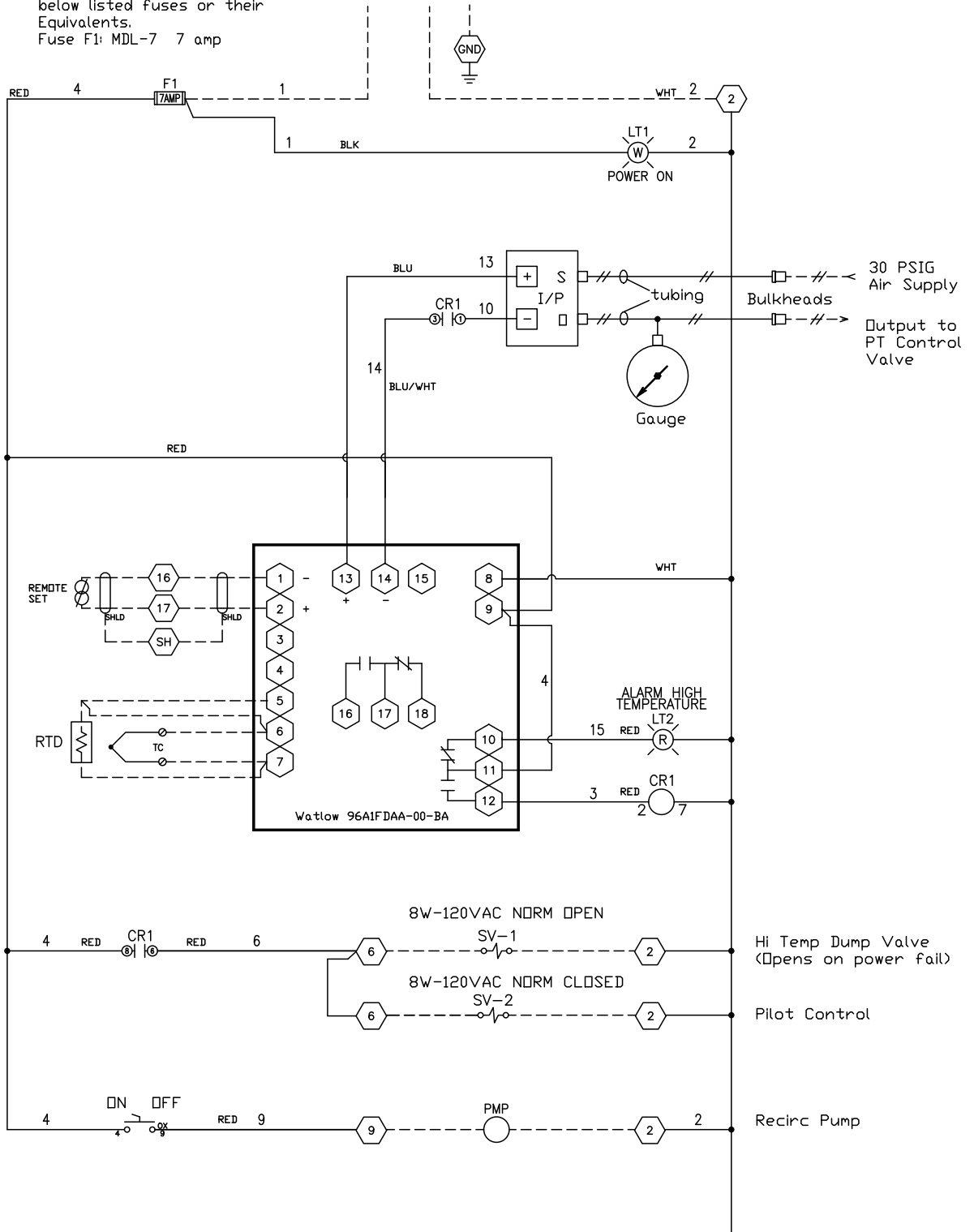
1-16

1-17

1-18

1-19

1-20



THERMAFLO
ENGINEERING COMPANY
MANUFACTURERS OF STEAM FIRED SPECIALTY EQUIPMENT

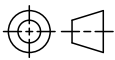
Since 1966

CHK'D BY
AS

TITLE
ThermaFlo Engineering Co

DRAWN BY
SB

SUB TITLE
Pneumatic Temp. & Pump Control Panel



DO NOT SCALE DRAWING

FILE NAME
S02524-01.dwg

DRAWING TYPE
Electrical Schematics

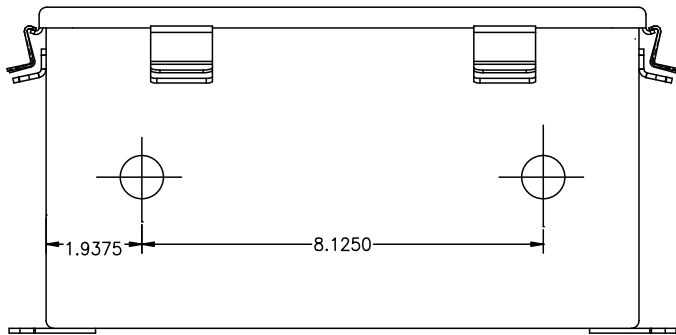
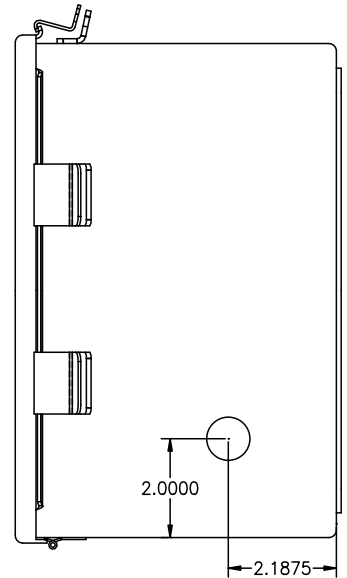
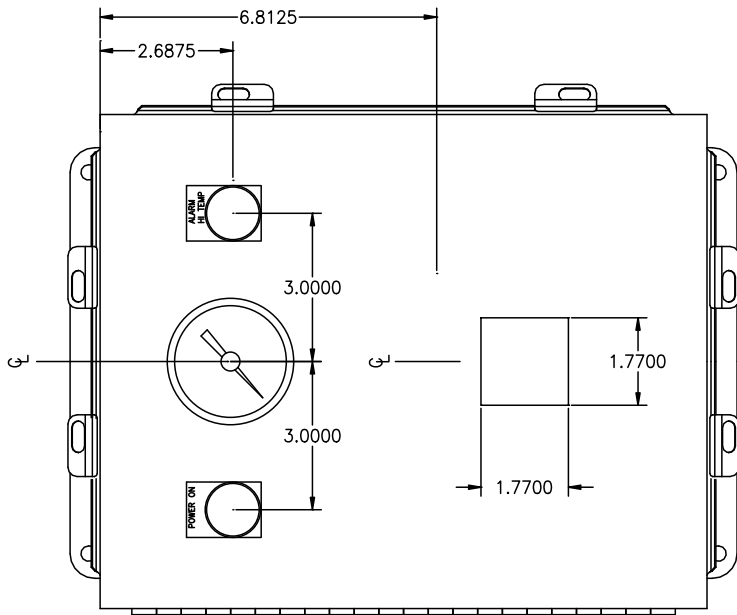
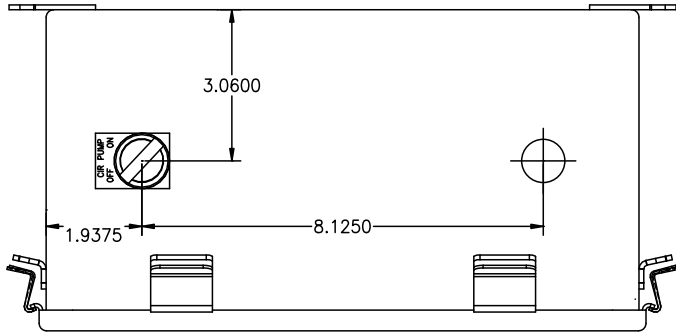
DATE ISSUED
02/23/09

SCALE
NTS

DRAWING NUMBER
S02524-01

REV
0

SHEET
1



THERMAFLO
ENGINEERING COMPANY
 MANUFACTURERS OF STEAM FIRED SPECIALTY EQUIPMENT

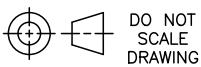
Since 1986

CHK'D BY
AS

TITLE
ThermaFlo Engineering Co

DRAWN BY
SB

SUB TITLE
Pnuematic Temp. & Pump Control Panel



DO NOT
 SCALE
 DRAWING

FILE NAME
S02524-03.dwg

DATE ISSUED

05/27/09

DRAWING TYPE
Electrical Schematics

SCALE

NTS

DRAWING NUMBER

S02524-03

REV

0

SHEET

3