
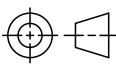


THERMAFLO





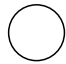
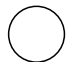
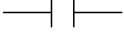

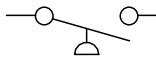
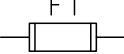
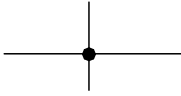
ENGINEERING COMPANY

Pneumatic Temperature & Pump Control Panel

ELECTRICAL SCHEMATICS

 <p>THERMAFLO ENGINEERING COMPANY Since 1986 MANUFACTURERS of STEAM FIRED SPECIALTY EQUIPMENT</p>		CHK'D BY AS	TITLE ThermaFlo Engineering Co			
		DRAWN BY SB	SUB TITLE Pneumatic Temp. & Pump Control Panel			
 <p>DO NOT SCALE DRAWING</p>	FILE NAME EC-800-PN-TITLE.dwg	DATE ISSUED 12/11/09	SCALE NTS	DRAWING NUMBER EC-800-PN-TITLE	REV 1	SHEET TITLE
	DRAWING TYPE Electrical Schematics					

SYMBOLS LEGEND:

<p>PTC TRANSFORMER AUTO RESET</p> <p> SWITCH</p> <p>RTD RESISTANCE TEMPERATURE DEVICE</p> <p>TC THERMOCOUPLE</p> <p> FIELD TERMINAL BLOCK</p> <p> SOLENOID VALVE</p> <p> LED INDICATORS</p> <p>CR-1  CONTROL RELAY</p> <p>MTR  PUMP MOTOR</p>	<p> NORMALLY OPEN CONTACT</p> <p> NORMALLY CLOSED CONTACT</p> <p> PRESSURE SWITCH NORMALLY OPEN CONTACT</p> <p> F1 FUSE</p> <p>----- WIRED BY OTHERS</p> <p>————— PANEL WIRING</p> <p> WIRING CONNECTION</p>
--	---

NOTES:

1. Panel wiring to be 18 AWG
Field wiring to be 14 GA THHN or larger
2. Wire numbers are the same as terminal numbers except where noted.
3. Thermocouple (if used) must be wired with thermocouple wire.
4. Controller to be programmed such that the Alarm Switch opens on High Temperature.
5. Main circuit breaker to be 10 amp by others.

THERMAFLO

ENGINEERING COMPANY

MANUFACTURERS of STEAM FIRED SPECIALTY EQUIPMENT

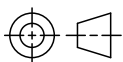
Since 1986

CHK'D BY
AS

TITLE
**ThermaFlo
Engineering Co**

DRAWN BY
SB

SUB TITLE
**Pnuematic Temp.
& Pump Control Panel**



DO NOT
SCALE
DRAWING

FILE NAME
EC-800-PN-SYMB.dwg

DRAWING TYPE
Electrical Schematics

DATE ISSUED
12/11/09

SCALE
NTS

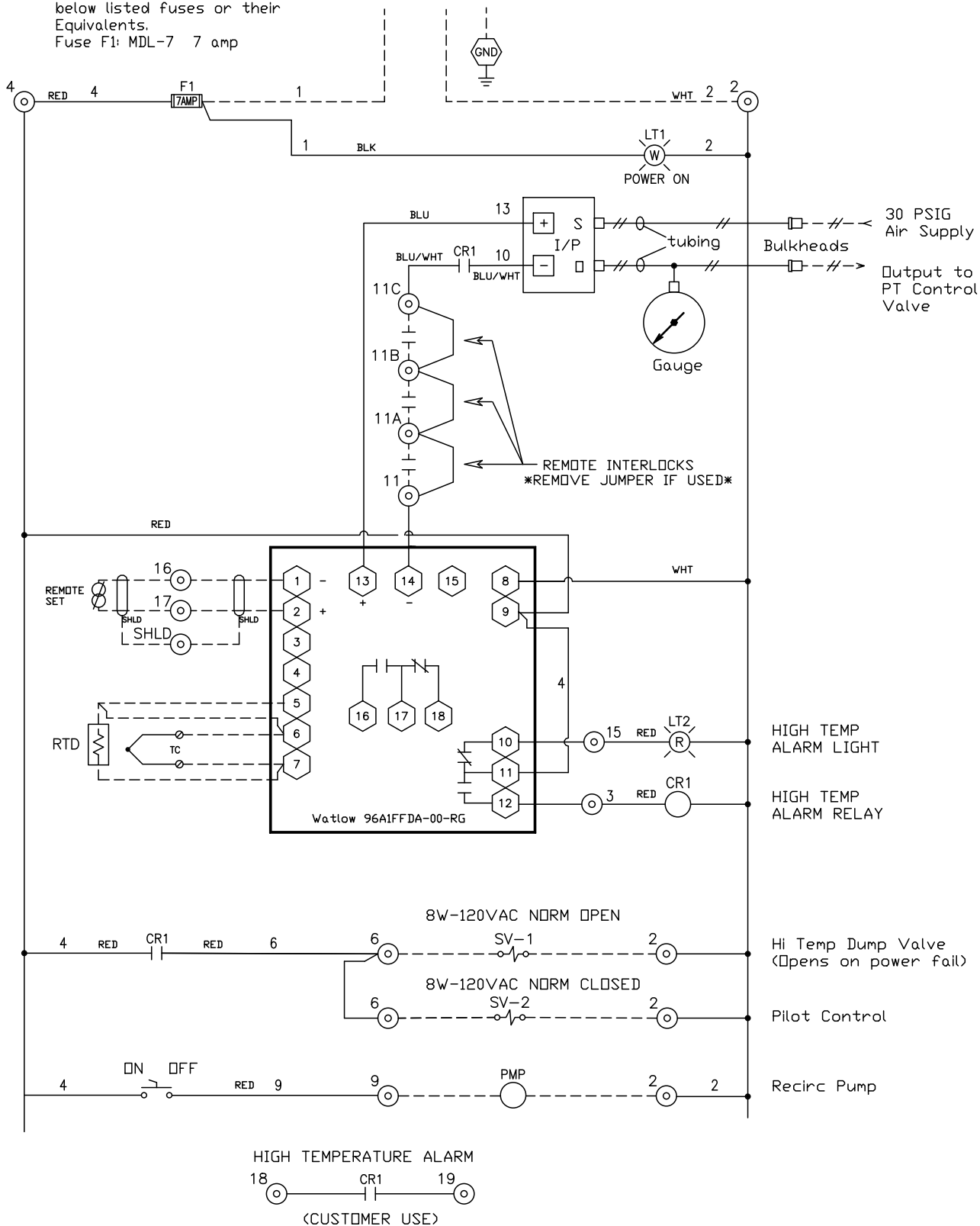
DRAWING NUMBER
EC-800-PN-SYMB

REV
1

SHEET
SYMB

WARNING: To reduce risk of fire, replace only with the below listed fuses or their Equivalents.
Fuse F1: MDL-7 7 amp

**120VAC/50Hz
10AMP BREAKER**



THERMAFLO Since 1986
ENGINEERING COMPANY
 MANUFACTURERS of STEAM FIRED SPECIALTY EQUIPMENT

CHK'D BY
AS
 DRAWN BY
SB

TITLE
ThermaFlo Engineering Co
 SUB TITLE
Pneumatic Temp. & Pump Control Panel

DO NOT SCALE DRAWING

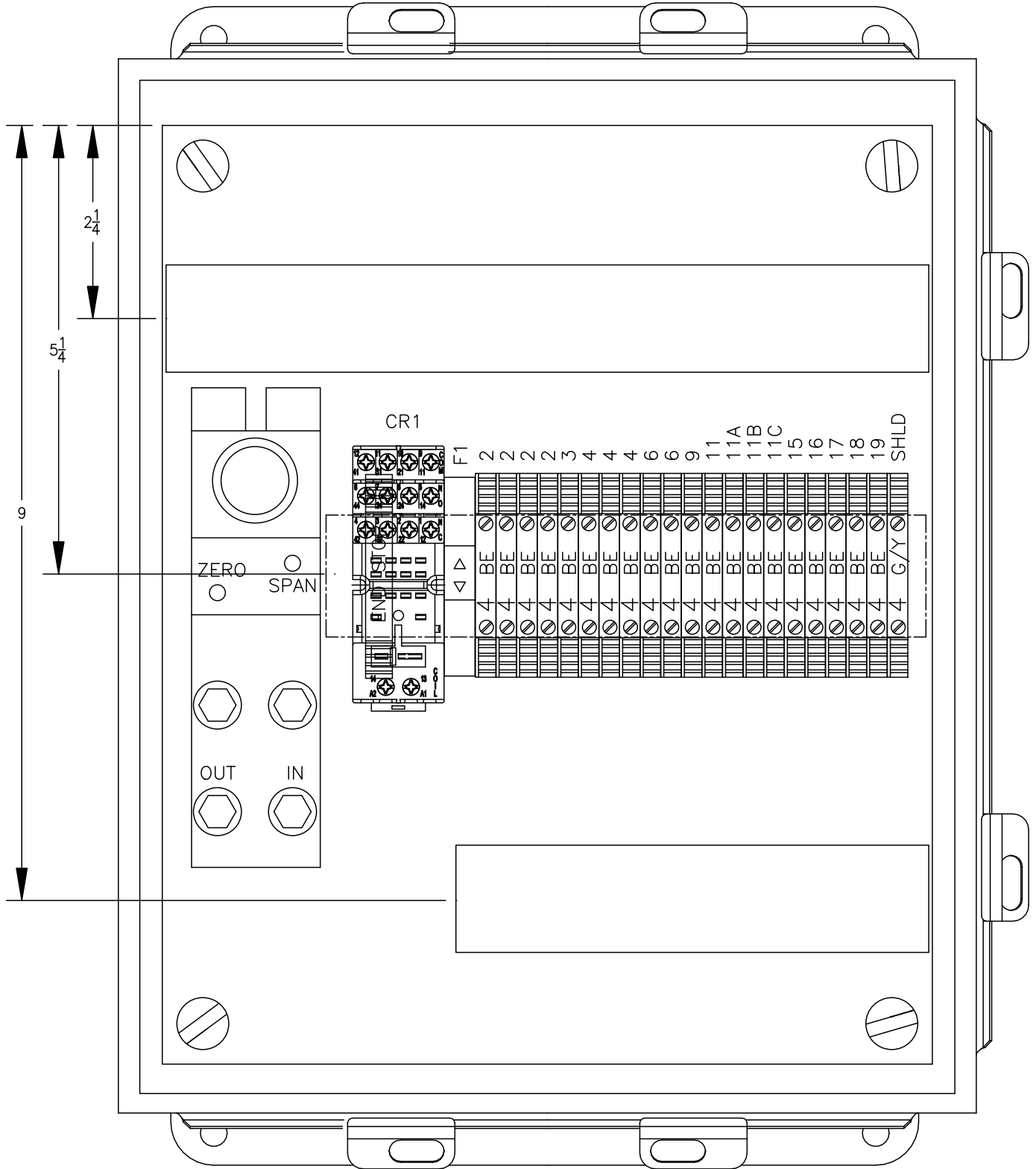
FILE NAME
EC-800-PN-01.dwg
 DRAWING TYPE
Electrical Schematics

DATE ISSUED
12/11/09

SCALE
NTS

DRAWING NUMBER
EC-800-PN-01

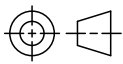
REV
1
 SHEET
1



THERMAFLO Since 1986
ENGINEERING COMPANY
 MANUFACTURERS of STEAM FIRED SPECIALTY EQUIPMENT

CHK'D BY
AS
 DRAWN BY
SB

TITLE
ThermaFlo Engineering Co
 SUB TITLE **Pnuematic Temp. & Pump Control Panel**



DO NOT SCALE DRAWING

FILE NAME
EC-800-PN-02.dwg
 DRAWING TYPE
Electrical Schematics

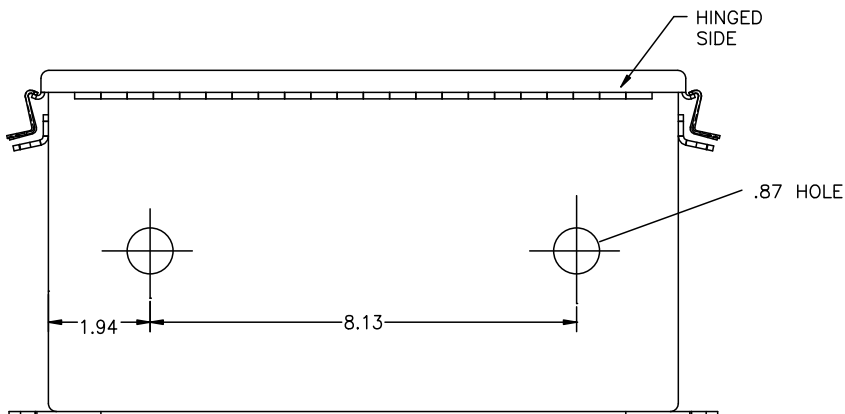
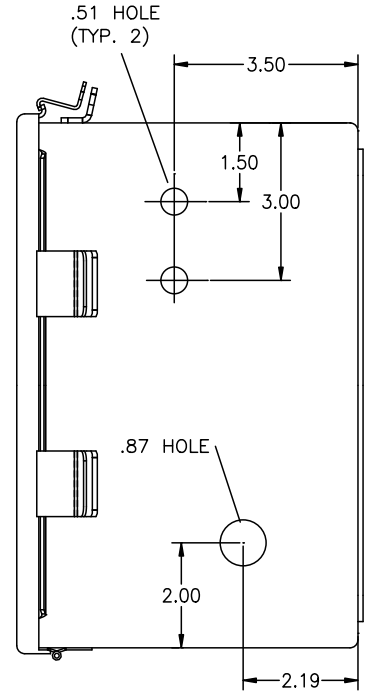
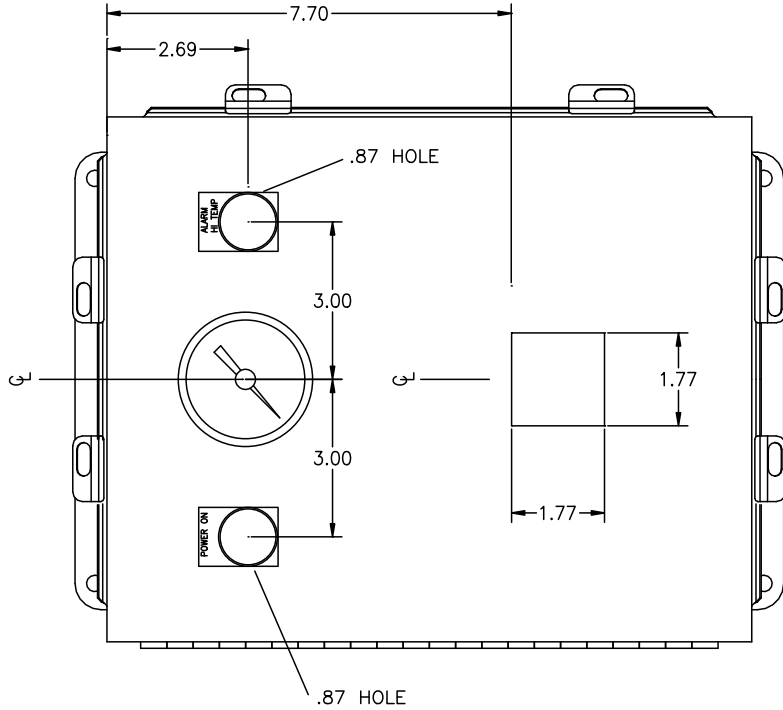
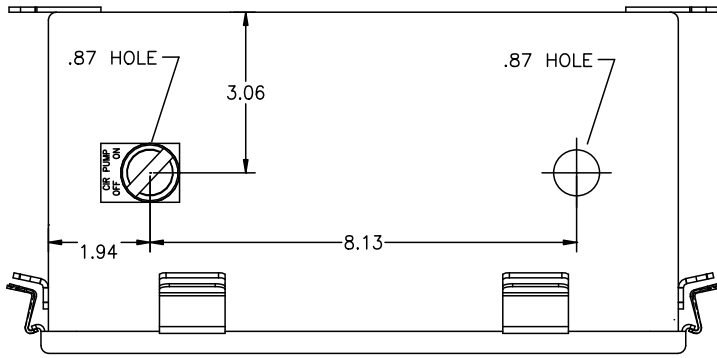
DATE ISSUED
12/11/09

SCALE
NTS

DRAWING NUMBER
EC-800-PN-02

REV
1

SHEET
2



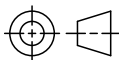
THERMAFLO Since 1986
ENGINEERING COMPANY
 MANUFACTURERS of STEAM FIRED SPECIALTY EQUIPMENT

CHK'D BY
AS

TITLE
ThermaFlo Engineering Co

DRAWN BY
SB

SUB TITLE
Pnuematic Temp. & Pump Control Panel



DO NOT
 SCALE
 DRAWING

FILE NAME
EC-800-PN-03.dwg
 DRAWING TYPE
Electrical Schematics

DATE ISSUED
12/11/09

SCALE
NTS

DRAWING NUMBER
EC-800-PN-03

REV
1

SHEET
3