

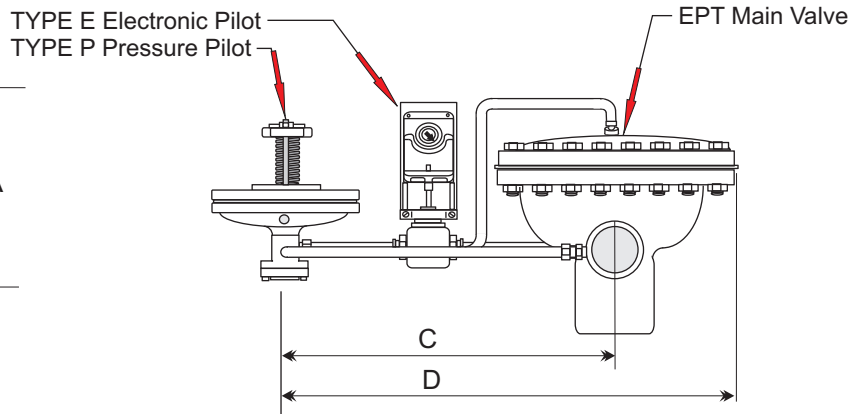
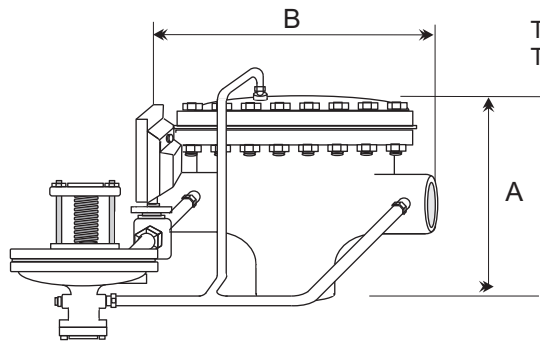
## TYPE ETP ELECTRONIC PRESSURE TEMPERATURE REGULATOR

SIZES 1/2"-4"  
PRESSURES TO 150 psig @ 366F

The Thermaflo Engineering Company Type ETP valve is a unique single seated balanced trim type steam regulating valve that controls both outlet pressure and temperature simultaneously and features an internal soft seat that provides dead tight shutdown when required. The electronic temperature pilot accepts a 4-20 ma or a 0-10 volt control signal which will then proportionally modulate steam to the type P pressure pilot, which utilizes a spring set point for outlet maximum steam pressure. This combination precisely controls the outlet temperature of a fluid from a heat exchanger while reducing the outlet steam pressure to the exchanger from a higher source. Outlet temperature can be reset and changed remotely on the type E pilot from building EMS or a process control management system. The electronic type E temperature pilot and main valve are fail safe design spring to close and close on power loss. A Thermaflo type EC800 Electronic digital controller can be used with this valve for the following typical process applications that include hot water converters, steam fired plate heat exchangers, hot water storage heaters, jacketed vats and kettles, steam air heating coils.

### TYPE ETP FEATURES

- Single Seated Packless Design
- Fully Balanced Trim 100:1 FlowTurndown
- Rugged Cast Iron Body Construction
- Hardened Stainless Steel Internal Trim
- Dead Tight Shut Off
- Fully Electronic Compatible
- Simple In-line Maintenance
- No Pneumatic Power Required
- Dual Function Regulator Design
- High CV Flow Capacity



#### MATERIALS OF CONSTRUCTION

Body	Cast Iron	ASTM A126 CI B 250lb
Internal Trim	17-4 PH	Stainless Steel
Seat	Stainless Steel/Thermal	
E Pilot Body/Trim	150lb Bronze/400	Stainless
P Pilot Body/Trim	250lb Iron/400	Stainless
Note: 24 Volt AC Power required for operation.		

SIZE	NPT	125/150	Flow CV	A	B	C	D	Weight
1/2"	**		4	7"	6"	9.5"	15"	22 lbs
3/4"	**		8	7"	6"	9.5"	15"	22 lbs
1"	**		15	7"	6"	9.5"	15"	22 lbs
1.25"	**		23	9.5"	9.8"	9.5"	22"	49 lbs
1.5"	**		30	9.5"	9.8"	9.5"	22"	49 lbs
2"	**		60	9.5"	9.8"	9.5"	22"	49 lbs
3"	**	**	120	16"	12"	12"	28"	121 lbs
4"	**	**	220	16"	14"	12"	28"	231 lbs

NOTE: SEE PT VALVE STEAM CAPACITY CHART FOR SIZING  
Thermaflo Engineering reserves the right to change the specifications above in the interest of improvement without notice. 3/07