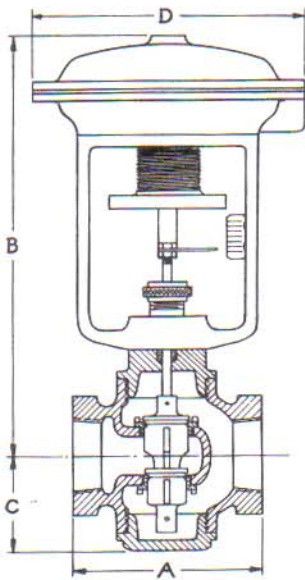
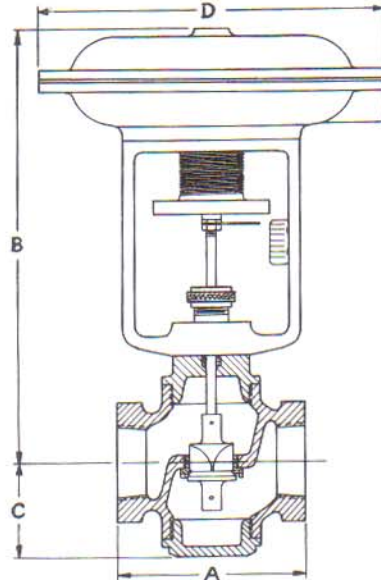


# ThermaFlo TH-610 and TH-615 Control Valves

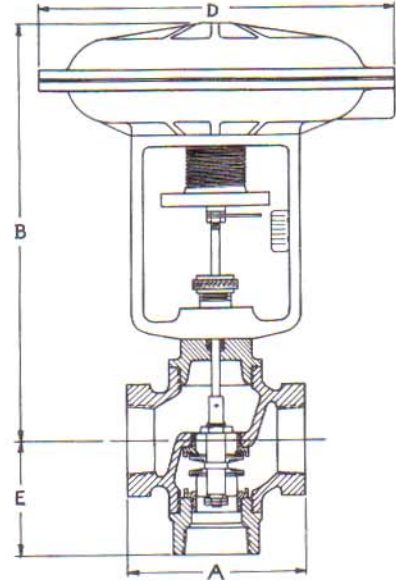
## SERIES 610 AND 615 DIMENSIONAL CHART



**TYPE 610-D Showing Quick Opening Inner Valve**



**TYPE 615-R Showing Per-Cent V Inner Valve**



**TYPE 610-3 Showing Composition Inner Valve**

VALVE SIZE	WORKING PRESSURE	A	B†	C	D*		E
					SINGLE SEATED	DOUBLE SEATED	
½"	125 lbs.	3½"	10½"	2"	6"	6"	2¾"
¾"	125 lbs.	3½"	10½"	2¼"	6"	6"	2¾"
1"	125 lbs.	4¼"	11¼"	2½"	6"	6"	2¾"
1¼"	125 lbs.	4½"	11½"	2½"	7"	6"	2¾"
1½"	125 lbs.	4¾"	11¾"	2¾"	7"	7"	3"
2"	125 lbs.	5½"	13"	3¼"	10"	7"	3½"
2½"	125 lbs.	8"	14¼"	4"	10"	10"	4½"
3"	125 lbs.	9¼"	16"	5"	14"	10"	6"

\*Dimension (D) is based on using instrument air at 3 to 15 psi.

†For lubricated bonnet, add 1" to (B) dimension.

For Cv ratings of Series 610 and 615 valves, see page 358-6.

All Type 610 and Type 615 Control Valves are furnished with No. 0, No. 1, No. 2, and No. 3 top-works. Seat rings screw into the body and have notches for wrench hold when installing or removing. Seat rings are shouldered, and bodies faced, so that a pressure tight joint is obtained.

Double stems are standard to permit removal of the complete diaphragm assembly without the necessity of dismantling the top-works.

¼", ⅜", or ½" preported inner valves, having equal percentage or linear flow characteristics are available in ½", ¾" and 1" valve sizes.

### TOP-WORKS DATA

Top-works Number	0	1	2	3
Outside Diameter	6"	7"	10"	14"
Effective Area Sq. In.	15	22	45	115

**FIN RADIATING BONNETS.** Where operating temperatures exceed 450°F., the finned bonnet provides a greater radiating surface to dissipate the excessive temperatures. See page twelve for dimensions and details.

**VALVE POSITIONERS.** Where service conditions do not allow accurate, rapid positioning of the inner valve, a valve positioner should be considered. See page nineteen for details.